

HK Metal Products

Tubular Handrail System

Stanchions

Standard - 48.3 OD 40 NB gauge 3.2
Heavy Duty 48.3 OD 40 NB gauge 4.0

Base Plates

Type AM Dimensions 65 x 172 x 10
Holes 17.5 @ 126 centres

All others Dimensions: 75 x 150 x 10
Holes 17.5 @ 102 centres

Kickplate Mounting Brackets

Dimensions 40 x 40 x 6 angle 76 long
14mm diameter holes @ 52 centres

Rail Specifications

Handrail 32NB (42.4 OD) Med Gauge
Kneerail 25NB (33.7 OD) Med Gauge

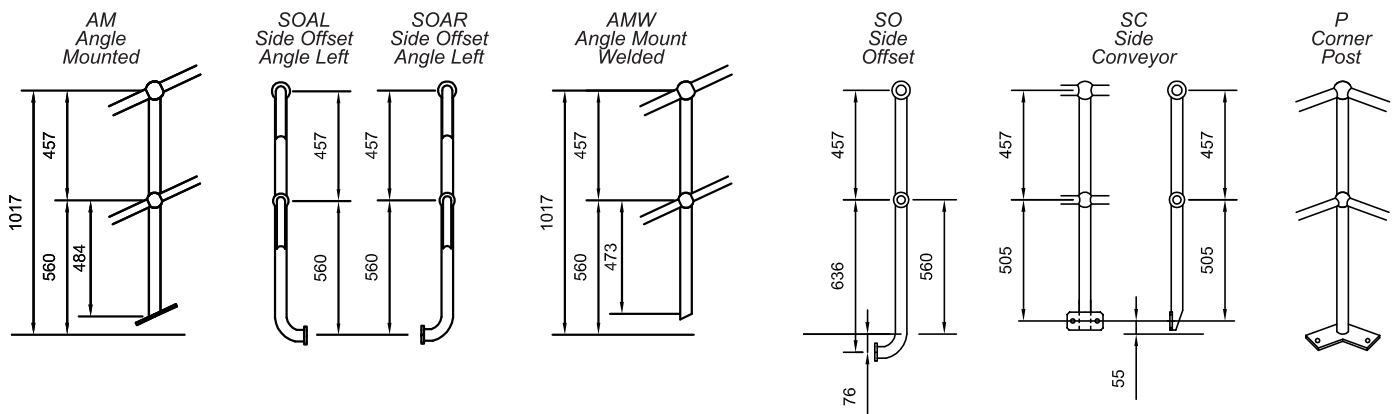
Finish

All standard handrail components are hot dipped galvanised to AS 4680 -1999. Stanchions are available in raw finish if required

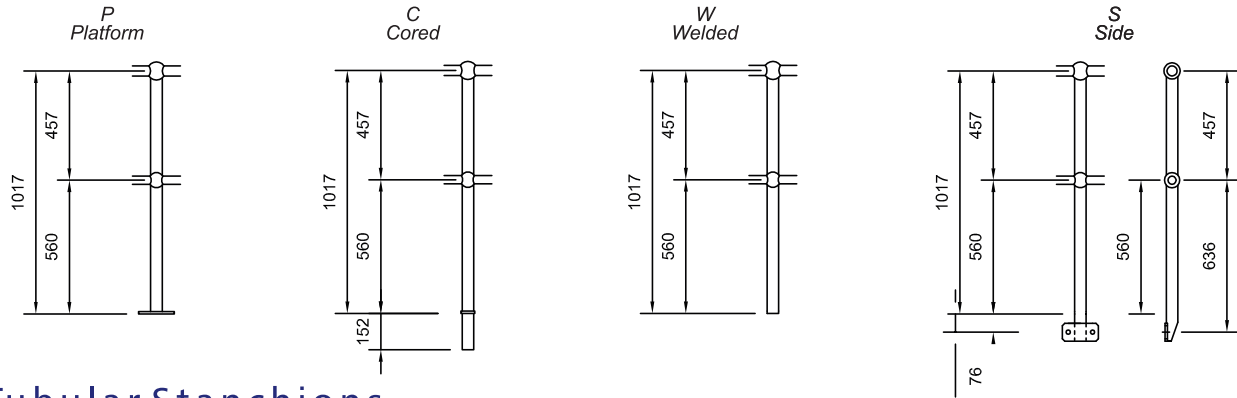
Stanchion Spacing

HK Metals tubular handrail system is manufactured to comply with AS 1657 - 1985 which recommends a maximum spacing of 2 metres

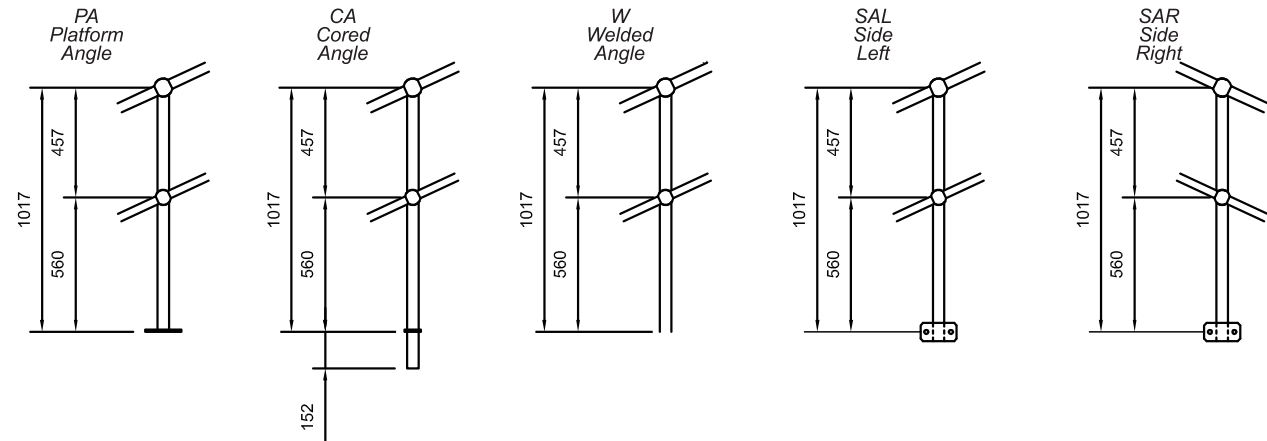
Tubular Stanchions



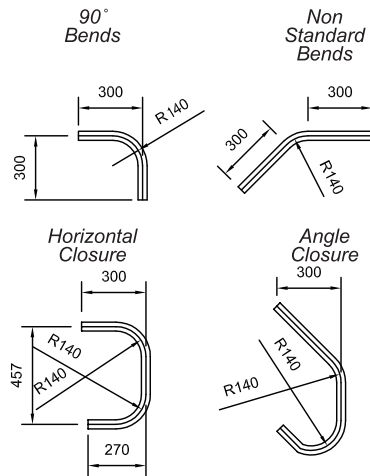
Tubular Stanchions



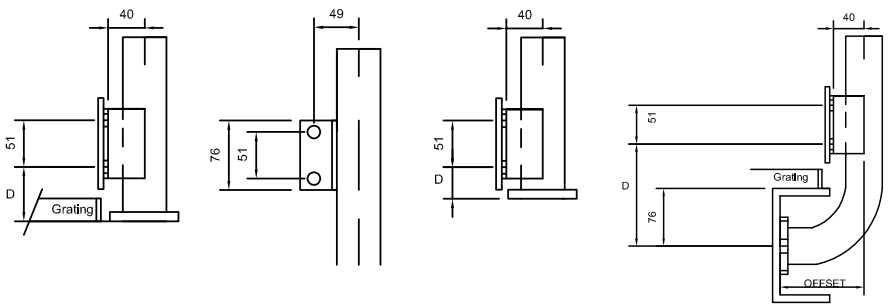
Tubular Stanchions



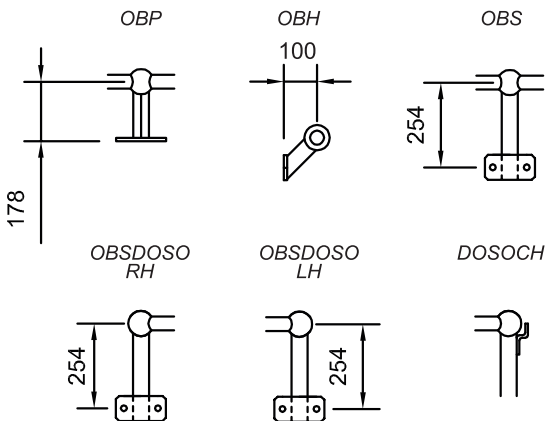
Bends and Closures



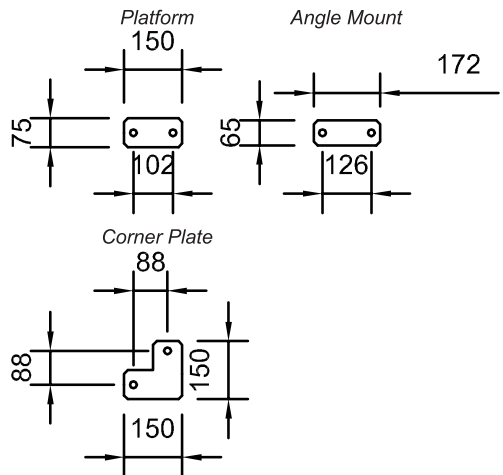
Kick Plate Mounting Bracket Details



Angle Mounting Only

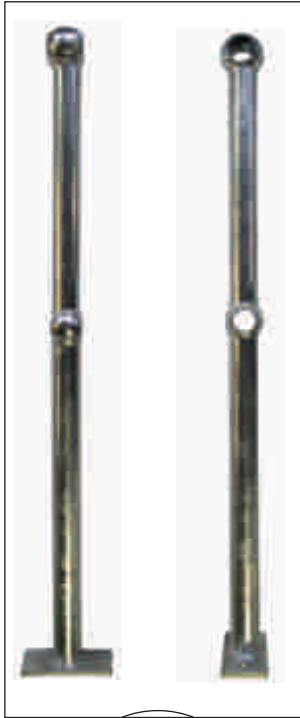


Base Plates



Tubular Stanchions

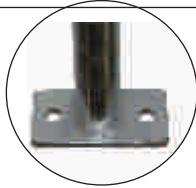
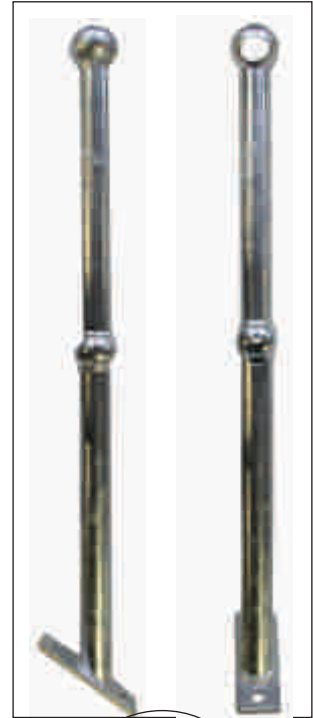
P
Platform



P
Corner Post



AM
Angle Mounted



S
Side Offset



S
Side

